

**MRM-710U  
Manual Station****Features**

- **Dual Action**
- Key resettable
- Terminal connectors
- Gold plated SPST contacts
- Optional auxiliary contacts
- High-gloss red enamel finish
- Plastic breakrod
- Meets ADA 5 lb. maximum manual-force
- Mounts on standard single gang box, Secutron's MRM-700 surface metal backbox or MRM-700WP weather proof backbox

**Description**

Secutron's MRM-710U Manual Station provides manual fire reporting. This high quality, die-cast metal manual station is a dual action unit with SPST contacts and terminal strip connections. The normally open contact, which closes when the manual station is activated, is rated for 1 amp, 30 VDC. The contacts are gold plated to avoid the risk of corrosion.

The MRM-710U is available with CAT-30 lock and keys and mounts on a standard single gang backbox, Secutron's MRM-700 surface metal backbox or MRM-700WP weather proof backbox.

The MRM-710U Manual Station is listed for outdoor applications when used with the MRM-700WP.

**Operation**

The MRM-710U Dual Action Manual Station is operated by pushing the bar labelled "PUSH BAR" and then pulling down the handle marked "PULL HANDLE". The MRM-710U Manual Station is reset by opening the station with the key, placing the handle in the normal upright position and re-locking the station.

**Specifications**

The manual station shall be Secutron's MRM-710U. Operating instructions shall be in raised English lettering and the unit shall be constructed of high quality die-cast metal and finished in red enamel paint to provide quick identification. Pulling the handle shall initiate immediate operation of the alarm detection circuit. All manual fire alarm stations shall be installed as per the specific requirements outlined in the UL codes, as well as all other applicable national or local codes. Final acceptance is subject to the local authority having jurisdiction.



S6492



7150-1656:128

**MEA  
approved**

352-03-E

**SECUTRON INC.**

Canada 25 Interchange Way, Vaughan (Toronto), Ontario L4K 5W3 Tel: (905) 695-3545 Fax: (905) 660-4113  
U.S.A. 4575 Witmer Industrial Estates, Niagara Falls, NY 14305 Tel: (888) 695-3545 Fax: (888) 660-4113  
Web Page: [www.secutron.com](http://www.secutron.com) • Email: [mail@secutron.com](mailto:mail@secutron.com)

Catalogue Number

**2033**

Issue 5

## Specifications

### Switch Rating:

1 Amp @ 30 VDC  
0.1 Amp @ 125 VAC

### Manual Station Dimensions:

4.9" H x 3.5" W x 2.0" D

### Color:

Red with raised white letters, white manual bar with raised black letters.

## Surface Mount Backboxes



### MRM-700 Surface Mount Backbox

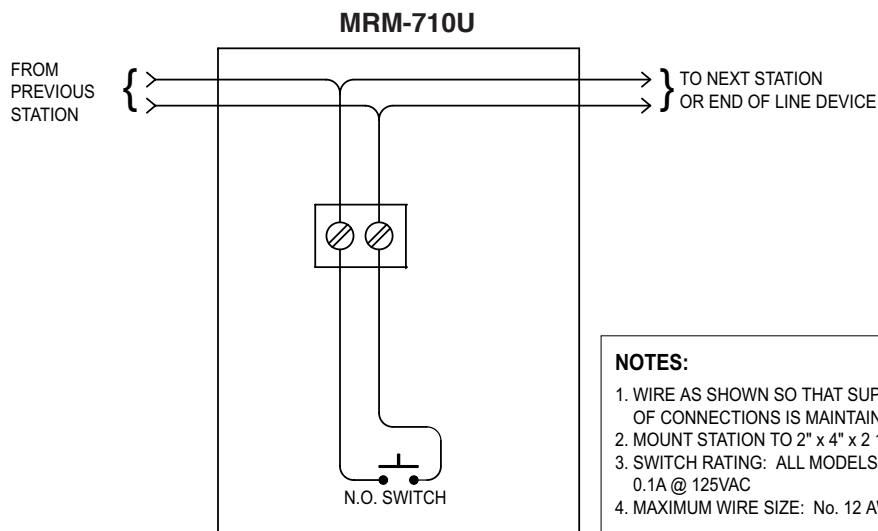
Dimensions:  
5" H x 3.6" W x 2.0" D



### MRM-700WP Weatherproof Surface Mount Backbox

Dimensions:  
5" H x 3.6" W x 2.2" D

## Typical Wiring Diagram



## Ordering Information

Model	Description
MRM-710U	Dual Action Manual Station
MRM-700	MRM-700U Series Interior Surface Mount Backbox, Red Finish
MRM-700WP	MRM-700U Series Weatherproof Surface Mount Backbox, Red Finish

THIS INFORMATION IS FOR MARKETING PURPOSES ONLY AND NOT INTENDED TO DESCRIBE THE PRODUCTS TECHNICALLY.

For complete and accurate technical information relating to performance, installation, testing and certification, refer to technical literature. This document contains intellectual property of Mircom. The information is subject to change by Mircom without notice. Mircom does not represent or warrant correctness or completeness.

Catalogue Number

**2033**

Issue 5  
Page 2 of 2